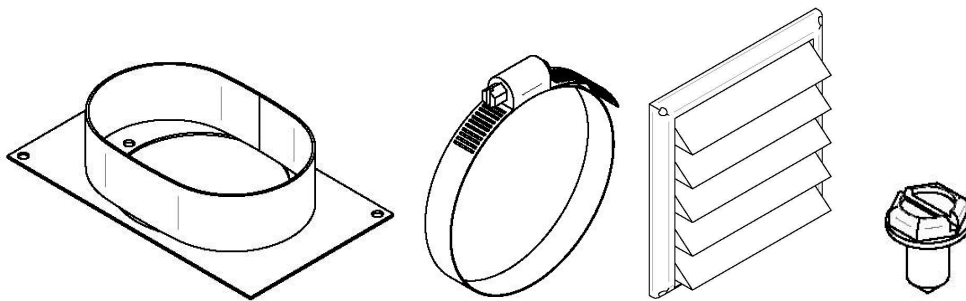




**PEDESTAL WOOD STOVE
FRESH AIR ADAPTER KIT
OA10500**

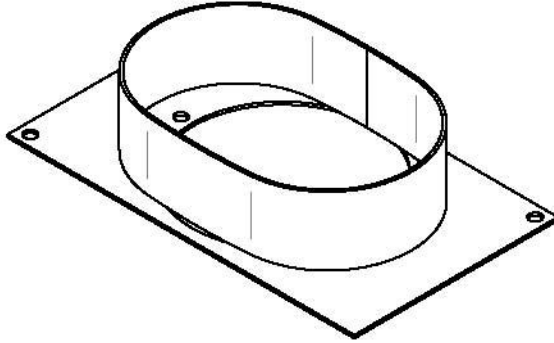
**INSTALLATION
INSTRUCTIONS**



Stove Builder International inc.
250, rue de Copenhague
Saint-Augustin-de-Desmaures Quebec, Canada G3A 2H3

This pedestal wood stove fresh air adapter kit contains the following parts:

5" (127 mm) pedestal/floor
oval adapter.



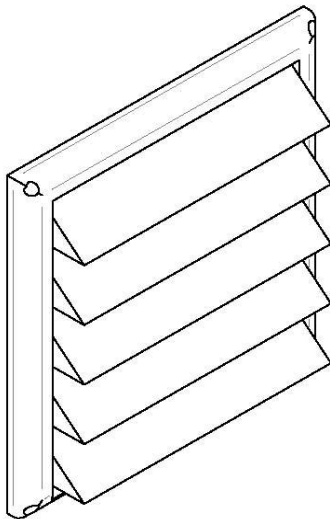
1x

Screws. 30132



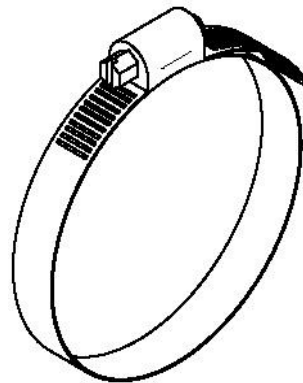
2x

Outside 5" (127 mm) diameter
air intake finishing cap.



1x

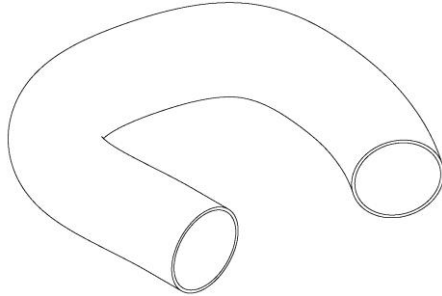
5" (127mm) diameter
fastening collar. 49030



2x

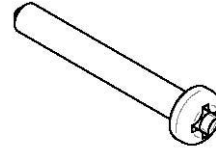
Other required parts (not included):

5" (127 mm) diameter
flexible insulated pipe. AC02090



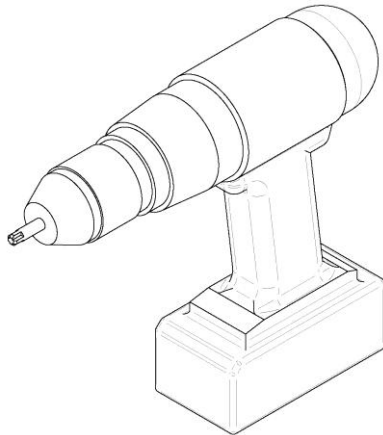
1x

Screws for outside air intake
finishing cap.

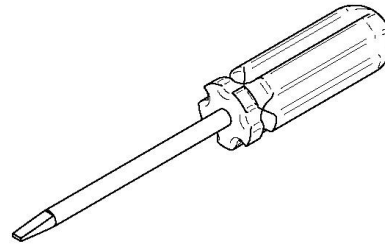


4x

Tools required for installation:



Powered driver



Flat head screwdriver

Note:

5" flexible insulated pipe is not included because the length of pipe needed may vary from an installation to another. A 5" (127mm) diameter X 4' (1.2 m) flexible insulated pipe is available under part #AC02090.

WARNING: TERMINATION MUST BE INSTALLED OUTSIDE OF THE BUILDING.

Installation

When combustion air is taken from outside, you can bring it directly to the pedestal or near the unit. In the second configuration we recommend that the distance between the air intake and the pedestal does not exceed 5' (1.52 m).

Here are four typical methods to bring fresh air into the unit. Consult the owner's manual of your appliance to determine which configuration applies to and suits your installation. Only one method may apply to your unit.

A Installation of fresh air intake from the wall to the back of the pedestal

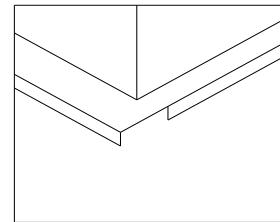
B Installation of fresh air intake from the floor to the base of the pedestal

C Installation of fresh air intake from the wall to the inside of the pedestal

D Installation of fresh air intake from the floor to the inside of the pedestal

Note:

When using configuration **A** or **B**: make sure that there are no gaps between the pedestal base and the flooring. If any, they should be sealed with extra insulation. This is especially important with models where the pedestal flanges are open at the base of the pedestal, as shown on this figure.



Periodically inspect the outside air intake system to make sure it is not obstructed. One evident sign of air restriction or obstruction is to see smothering effect when burning kindling with the door closed.